

# Chapter 11: Errata

- 1) Figure 18 at page 29 has incorrect adaptor coefficient values in  $A_0^{(1)}(z)$  and  $A_1^{(2)}(z)$ . The corrected values are shown below.

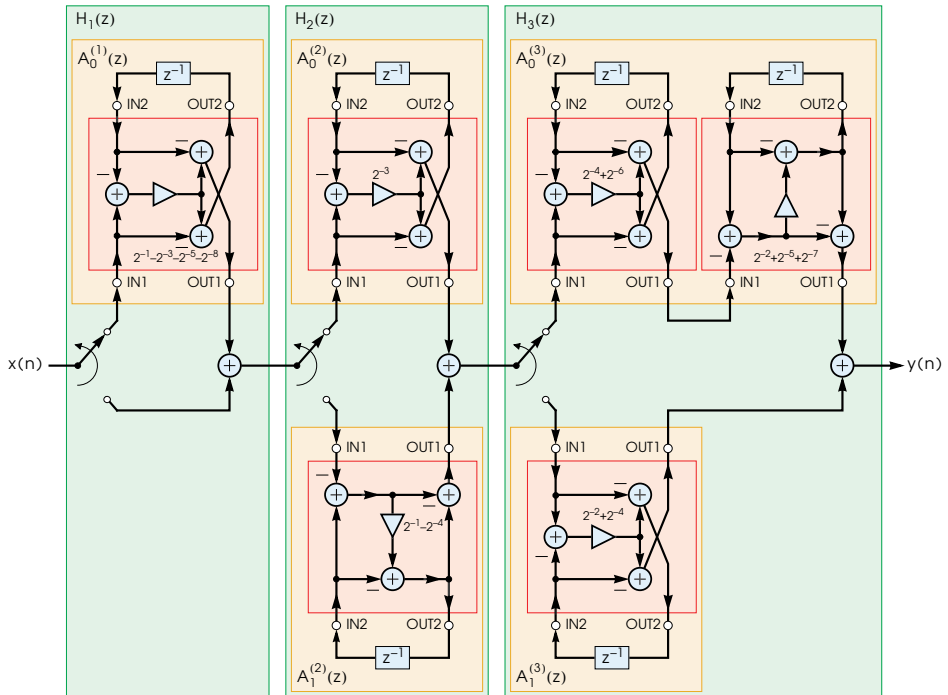


Fig. 18. An efficient implementation for the optimized finite-precision three-stage eighth-band decimator in Example 3.